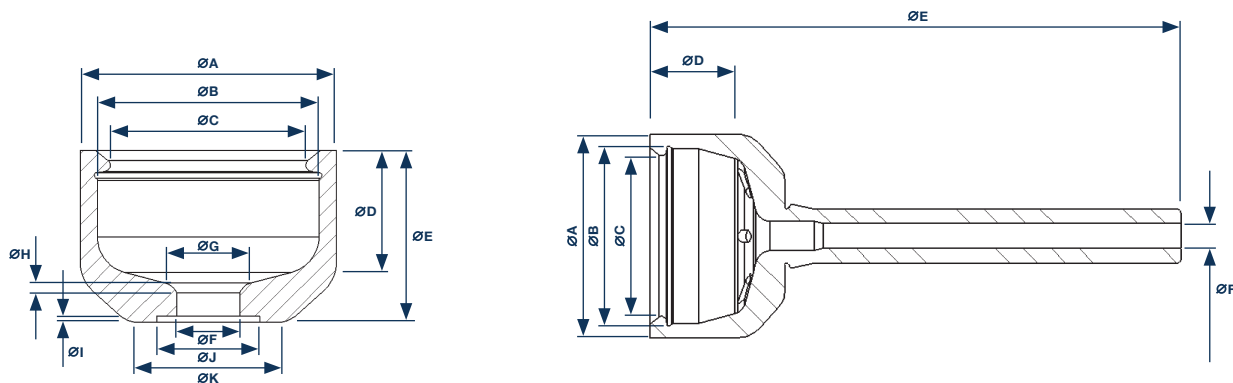


Accessories

Wash and Jetter Cups



Dimensional Comparison Chart - Wash Cups






MILKRITE PART NO. (X3)	DESCRIPTION	LINER DIMENSION (MM)											LINER FIT	TRAY FIT
		A	B	C	D	E	F	G	H	I	J	K		
200244-01	18XZ - Fits liners 58 mm Replacement for small DeLaval cups on CIP with candle sticks	65.8	57.8	-	18.0	30.0	17.0	29.0	7.5	3.0	45.0	52.0	EU type Fits liners with Hood OD 58 mm DL007U DL009U IP10 series HFH029U-01 HFH029U WS029U TLC A2,A5,A6 TLC FW1 SAC, Boumatic-Fullw	DeLaval type trays with candle stick (stems) Conversion of trays with shell holders MI Optiflow trays
204362-01	5XZ -US DeLaval Standard 7310 Old DL Candlestick	63.5	49.9	46.9	31.8	43.6	15.9	38.1	2.0	14.5	23.8	27.0	US type Old DL trays Fits US small hood liners	DeLaval Old trays
204359-01	6XZ - Wash Cup DeLaval Ultra 7311 Old DL Candelstick	63.5	50.8	48.0	31.8	43.6	15.9	38.1	2.0	14.5	23.8	27.0	US type Old DL trays Fits US small hood liners	DeLaval Old trays
204367-01	7XZ - Wash Cup DeLaval 7312 CIP DL Candlestick	59.3	47.2	-	15.4	27.9	15.0	27.9	10.0	2.5	-	49.8	EU & US type New trays DL4007U liner	DeLaval New trays with candlestick
1029-01	8XZ - Jetter Washcup 7316	69.9	60.4	38.1	31.3	60.6	9.5	-	-	4.2	-	17.4	US type Germania/DeLaval GRM1U liner	Germania/DeLaval Germania tray



Technical Data Sheet

														LINER DIMENSION (MM)												
														A	B	C	D	E	F	G	H	I	J	K		
201563-01	39XZ - Jetter Wash Cup Cleans full head of the liner Cleans the MP vent		76.5	66.5	54.0	30.0	40.0	16.0	28.0	6.5	3.5	-	76.5	Impulse EU type IP10 Air Range IP10U air IP15U air IP12U air IP14U air IP13U air IP11U air	Milkrite DL candlestick trays Conversion of trays with shell holders MRI Optiflow Trays											
																										
201564-01	41XZ - Jetter Wash Cup Conversion for DL trays with shell holders		76.5	66.5	54.0	32.4	40.0	24.0	24.0	7.6	-	-	76.5	Impulse EU type IP10 Range All IP 10 range liners IP & IPair	DeLaval Conversion for trays with shell holders											
																										
201657-01	IPJC3		65.3	56.1	50.0	27.4	43.6	19.5	31.4	4.2	3.8	-	-	EU-US Impulse IP20 Range	Gea CIP											
																										
201658-01	IPJC4		65.3	56.1	50.0	27.4	43.6	16.0	27.9	5.1	2.8	-	-	EU Impulse IP20 Range	DeLaval Candlestick trays Reversion of trays with shell holders Optiflow											
																										
201427-01	IPJC5		63.5	52.8	47.0	22.4	37.5	15.0	29.0	7.0	3.0	-	-	US application Lauren Impulse US IP4-LM	Lauren trays Impulse US											
																										
203593-01	IPJC6		76.5	66.5	54.0	28.0	49.5	8.6	19.2	-	16.7	-	-	IP10 Range	Waikato											
203594-01	IPJC7		66.2	56.7	50.5	27.4	48.5	8.6	19.2	-	16.7	-	-	IP20 Range	Waikato											
																										
IPJC10			85	60	44.5	16	28							EU type IP05 liner Fleckvieh	DeLaval candle stick Optiflow											
																										
203293-01	ULJC1		69.5	60.4	-	25.0	35.8	16.0	27.9	5.0	-	-	65.9	Generic Large wash cup Wide hood liners DL001U DL017U DL9008U WS180U WS150U MS507	Generic											
																										
102066-02	IP-WS-WC		65.3	56.1	49.5	27.2	44.8	16.3	16.3	17.6	-	29.8	-	Impulse US application	GEA Gea Tray											
																										

Technical Data Sheet

		LINER DIMENSION (MM)												
		A	B	C	D	E	F	G	H	I	J	K		
100042-02	IP-WC 	65.3	56.1	49.5	28.6	53.1	9.5	9.5	-	7.0	-	-	IP3/4 Grooved to lock in place	Bou-Matic
204401-01	38XZ - 7313 DeLaval Candle Stick Medium   	70.1	58.4	50.8	24.6	37.2	15.0	24.0	-	-	43.7	52.6	US type Small hood liners IP 20 series	DeLaval DL candlestick tray
108495-01	7315 	64.0	55.1	53.5	31.2	44.8	16.3	25.7	3.3	6.5	29.8	-	US type Jet Flo Better alternative for IP- WS-WC	GEA

Dimensional Comparison Chart - Jetter Cups

MILKRITE PART NO. (X3)	DESCRIPTION	LINER DIMENSION (MM)						LINER FIT	TRAY FIT
		A	B	C	D	E	F		
102212-01	7330 	62.6	54.7	51.2	33.3	166.7	7.9	US Surge / Uni	Surge / Uni
108246-01	7340 	69.8	60.3	39.7	32.7	166.3	7.9	US Bou-Matic	Bou-Matic
108071-01	7350 	69.8	60.3	34.9	39.9	165.1	7.9	US WS -DeLaval-IP	DeLaval WS IP
102389-02	7350-G 	69.9	60.3	34.9	33.7	165.1	8.0	US DeLaval/GEA/Impulse Grooved to lock in place	DeLaval/GEA/Impulse
108491-01	7360 	69.8	60.3	38.1	30.9	165.5	7.9	US Generic Small bore IP	Generic DeLaval-Gea-Boumatic
108152-01	7322    	65.2	57.1	52.6	34.4	171.4	8.0	US-EU IP10 series Boumatic liners BM1U-Flex-TL Grooved to lock in place	Bou-Matic SAC Fullwood Jettors without tray
102100-02	PJC 	62.7	54.8	49.5	31.0	167.2	7.9	IP20 Range Boumatic	IP20 Range

Technical Data Sheet

		LINER DIMENSION (MM)												
		A	B	C	D	E	F	G	H	I	J	K		
102070-02	<p>IPJC2</p> 	65.3	56.1	49.5	28.6	171.5	8.0						IP20 Range Boumatic	IP20 Range Same as IPJC but in harder material
	<p>Conversion different trays</p> <p>Cleans full head of the liner Cleans the IMP vent</p> 	76.5	66.5	54	30	40							<p>Impulse EU type</p> <p>IP10 Air Range IP10U air IP15U air IP12U air IP14U air IP13U air IP11U air</p>	<p>Fullwood trays</p> <p>Conversion to install 039 cups to clean full head and vent</p> <p>039XZ cup 18XZ IPJC4 And all other candle stick cups</p> <p>with sst washer plate and sst screw M4 203034-01 plate 204531-01 screw</p>
													<p>IP12U IP15U</p>	<p>Dairymaster</p> <p>with washer plate and screw 203034-01</p>
													<p>EU type</p> <p>IP10 Air Range IP10U air IP15U air IP12U air IP14U air IP13U air IP11U air</p>	<p>Gascoigne Melotte</p> <p>039XZ cup 18XZ IPJC4 And all other candle stick cups</p> <p>Mounting with orange nozzles or with washer plate and screw 203034-01</p>